



**BONN HUNGARY  
ELECTRONICS**

**DCS / UMTS  
HIGH POWER  
DIPLEXER**

**BFDP15**  
NDS # 855

PRELIMINARY

an ISO 9001 Certified Company



- IDEAL FOR THE DCS & UMTS SYSTEMS
- COMPACT SIZE
- WEATHER-PROOF HOUSING

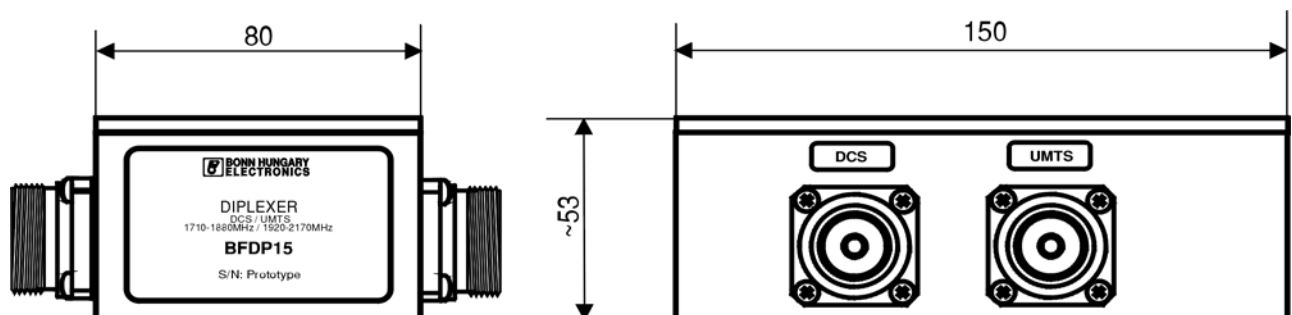
This in-band diplexer is a high quality, high power device which can be used effectively as diplexer in GSM base stations and similar applications. The low insertion loss, good reflection and the robust mechanical construction guarantee long term trouble free operation.

**ELECTRICAL CHARACTERISTICS :**

Frequency Range	1710 to 1880 MHz	1920 to 2170 MHz
Insertion Loss	0.2 dB typ, 0.3 dB max.	0.2 dB typ, 0.3 dB max.
Return Loss	20 dB typ. 18dB min.	20 dB typ. 18dB min.
Isolation	30 dB	30 dB
Isolation (min.)	28 dB	28 dB
Max. Input Power	100W	
RF Connectors	7/16 female	

Specifications are subject to change without notice.

**OUTLINE DIMENSIONS (mm):**



**BONN Elektronik**   
RF Systems, Instruments and Components

Rudolf-Diesel-Str.18 · D-85521 Ottobrunn · Tel +49 (0)89/608 754-0 · Fax +49 (0)89/608 754-99  
email: info@bonn-elektronik.com · home: www.bonn-elektronik.com