



**BONN HUNGARY  
ELECTRONICS**

**900 MHz GSM  
BANDSELECTIVE  
MACRO-REPEATER**

**BRPL  
Family  
NDS # 902**

an ISO 9001 Certified Company



- **5 W OUTPUT POWER**
- **HIGH SENSITIVITY**
- **HIGH DYNAMIC RANGE**
- **COMPACT SIZE**

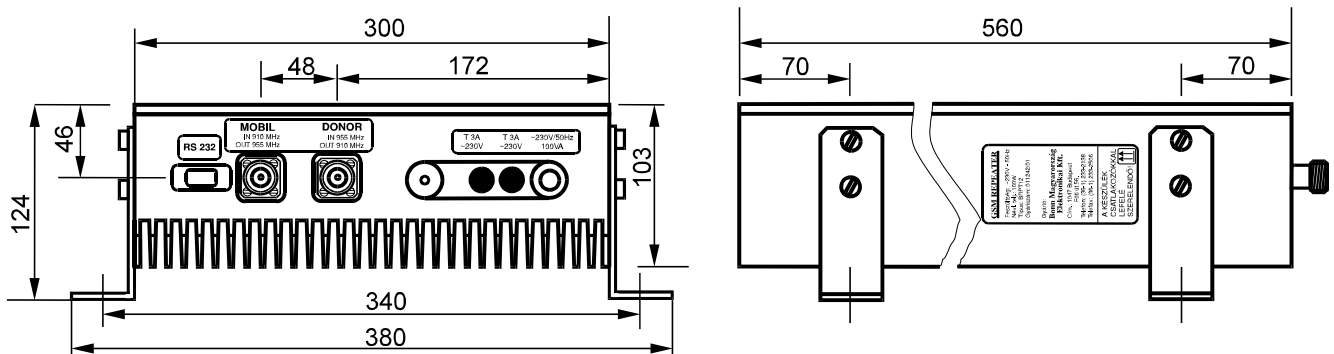
This repeater is intended for use in 900 MHz outdoor GSM systems. It is a compact and reliable unit and it is especially advantageous to use it in villages, or open fields where the field strength is weak. It is a cost effective solution to cover areas, which cannot be covered economically with base stations. It is a very economical solution, can be installed easily.

**ELECTRICAL CHARACTERISTICS :**

Frequency Band Uplink	890 – 915 MHz
Frequency Band Downlink	935 – 960 MHz
Frequency Bandwidth (Up/Downlink)	6 – 25 MHz (*)
Mode of Operation	band selective duplex
1 dB Compression @ Downlink	> 5 W ( + 37 dBm )
Linear Output Power Downlink / Uplink	+ 25 / + 22 dBm @ < - 36 dBm IM products
ICP3 Downlink / Uplink	> + 51 / + 48 dBm
Nominal Gain	75 dB
Gain Ripple	± 2 dB typical ± 3 dB max.
Gain Setting	70 to 38 dB in 2 dB steps
Input Noise Figure	< 5 dB
Harmonics	According to the ETSI regulation < - 36 dBm
Spurious Radiation	According to the ETSI regulation < - 36 dBm
Local Leakage	According to the ETSI regulation < - 36 dBm
RF Connectors	N – female
Supply Voltage	230V / 50 – 60 Hz AC
Power Consumption	~ 100 VA
Weight	22 kg
Operating temperature range	- 20 to + 55 °C
Application	Outdoor

(\*) Center frequency and bandwidth can be specified in the whole GSM band.  
Specifications are subject to change without notice.

**OUTLINE DIMENSIONS (mm):**



**BONN Elektronik**   
RF Systems, Instruments and Components

Rudolf-Diesel-Str.18 · D-85521 Ottobrunn · Tel +49 (0)89/608 754-0 · Fax +49 (0)89/608 754-99  
email: [info@bonn-elektronik.com](mailto:info@bonn-elektronik.com) . home: [www.bonn-elektronik.com](http://www.bonn-elektronik.com)