



**BONN HUNGARY
ELECTRONICS**

**900 MHz GSM
BAND-SELECTIVE
MACRO-REPEATER**

BRPL13
NDS # 907

an ISO 9001 Certified Company

- **5 W OUTPUT POWER**
- **HIGH SENSITIVITY**
- **HIGH DYNAMIC RANGE**
- **SMALL SIZE**



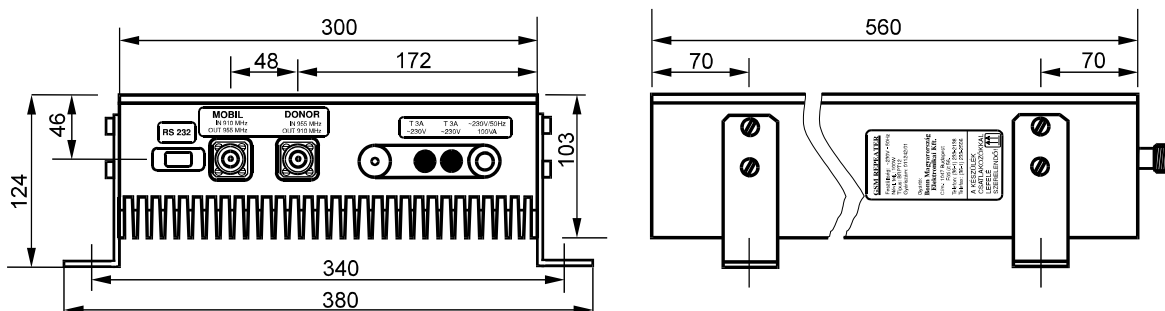
This repeater is intended for use in 900 MHz outdoor GSM systems. It is a compact and reliable unit and it is especially advantageous to use it in villages, or open fields where the field strength is weak. It is a cost effective solution to cover areas, which cannot be covered economically with base stations. It is a very economical solution, can be installed easily, can be monitored and set by remote control software.

ELECTRICAL CHARACTERISTICS :

Frequency Band Uplink	890 – 915 MHz
Frequency Band Downlink	935 – 960 MHz
Frequency Bandwidth (Up/Downlink)	6 – 25 MHz (*)
Mode of Operation	band selective duplex
1 dB Compression @ Downlink	> 5 W (+ 37 dBm)
Linear Output Power Downlink / Uplink	+ 25 / + 22 dBm @ < - 36 dBm IM products
ICP3 Downlink / Uplink	> + 51 / + 48 dBm
Nominal Gain	90 dB
Gain Ripple	± 1 dB typical ± 3 dB max.
Gain Setting	90 to 60 dB in 1 dB steps
Input Noise Figure	< 5 dB
Harmonics	According to the ETSI regulation < - 36 dBm
Spurious Radiation	According to the ETSI regulation < - 36 dBm
Local Leakage	According to the ETSI regulation < - 36 dBm
RF Connectors	N – female
Supply Voltage	230V / 50 – 60 Hz AC
Power Consumption	~ 100 VA
Weight	22 kg
Operating temperature range	- 20 to + 55 °C
RS232 control / Remote control	yes / optional
Application	Outdoor

(*) Center frequency and bandwidth can be specified in the whole GSM band.
Specifications are subject to change without notice.

OUTLINE DIMENSIONS (mm):



BONN Elektronik
RF Systems, Instruments and Components

Rudolf-Diesel-Str.18 · D-85521 Ottobrunn · Tel +49 (0)89/608 754-0 · Fax +49 (0)89/608 754-99
email: info@bonn-elektronik.com · home: www.bonn-elektronik.com