



**BONN HUNGARY  
ELECTRONICS**

**3 dB BROADBAND  
800 - 2200 MHz  
SPLITTER**

**BDEB17**  
NDS # 757

an ISO 9001 Certified Company



- **IDEAL FOR THE GSM / DCS / UMTS SYSTEMS**
- **3 dB COUPLING**
- **HIGH POWER SPLITTER**
- **COMPACT SIZE**
- **WITH INTERNAL TERMINATION**

This broadband directional coupler is a universal building block which is intended for use to split signals in the most common mobile systems. Due to its low losses and compact size it can be used effectively in these communication systems.

**ELECTRICAL CHARACTERISTICS :**

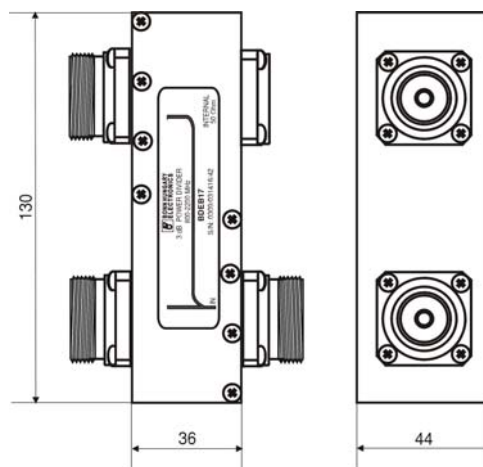
|                                     |                                        |
|-------------------------------------|----------------------------------------|
| Frequency Band                      | 800 to 2200 MHz                        |
| Nominal Coupling                    | 3 dB                                   |
| Coupling Ripple                     | < ± 0.5 dB                             |
| Insertion Loss (*)                  | < 0.2 dB typ., max. 0.4 dB             |
| Isolation (Directivity)             | > 25 dB typ., min. 20 dB               |
| Reflection @ all port               | < -25 dB typ., max. -20 dB             |
| Measured 3th order IM products (**) | -150 dBc typ.                          |
| Max. Input Power @ common port      | 100 W                                  |
| Connectors                          | 7/16 – female ( N connector optional ) |
| Operating Temperature Range         | - 30 to + 70°C                         |

(\*) above the theoretical 3 dB coupling loss

Specifications are subject to change without notice.

(\*\*) measured 2x40 dBm @ 950 MHz common input port

**OUTLINE DIMENSIONS (mm):**



**BONN Elektronik**   
RF Systems, Instruments and Components

Rudolf-Diesel-Str.18 · D-85521 Ottobrunn · Tel +49 (0)89/608 754-0 · Fax +49 (0)89/608 754-99  
email: [info@bonn-elektronik.com](mailto:info@bonn-elektronik.com) · home: [www.bonn-elektronik.com](http://www.bonn-elektronik.com)