



**BONN HUNGARY
ELECTRONICS**

**WIDEBAND
800 - 2500 MHz
3-WAY REACTIVE SPLITTER**

BHEB11
NDS # 712

an ISO 9001 Certified Company



- **3 WAY 0° REACTIVE POWER DIVIDER**
- **IDEAL FOR BROADBAND APPLICATIONS**
- **COMPETITIVE PRICE**
- **MULTIPLE ANTENNA FEED**

This broadband Power Splitter is a universal system building block. It is intended for use in the 900/1800 MHz GSM, DCS/ISM applications. It can be used for feeding multiple antennas in mobile communication systems.

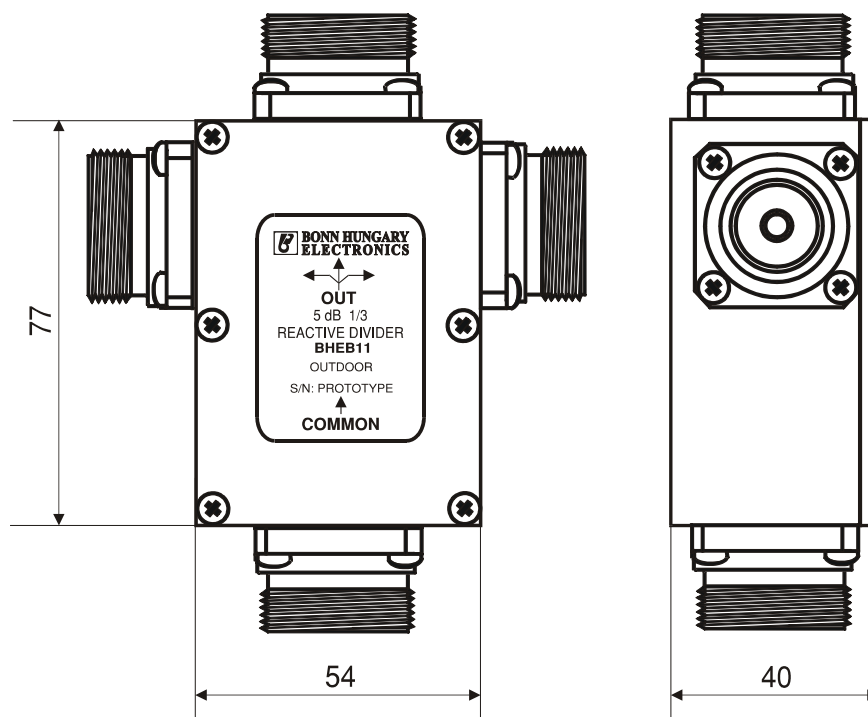
ELECTRICAL CHARACTERISTICS :

Frequency Band (*)	800 to 2500 MHz
Reflection @ common port	< -20 dB typ. < -25 dB
Insertion Loss (above theoretical 4.8 dB)	typ. 0.3 dB ± 0.3 dB
Divider Max. Input Power	100 W
Amplitude Balance	± 0.3 dB
Connectors	7/16 - female
Operating Temperature Range	- 30 to + 70°C

(*) Other frequency ranges are available upon request.

Specifications are subject to change without notice.

OUTLINE DIMENSIONS (mm):



BONN Elektronik 
RF Systems, Instruments and Components

Rudolf-Diesel-Str.18 · D-85521 Ottobrunn · Tel +49 (0)89/608 754-0 · Fax +49 (0)89/608 754-99
email: info@bonn-elektronik.com · home: www.bonn-elektronik.com