



**BONN HUNGARY  
ELECTRONICS**

**GSM TRI-BAND  
900/2170 MHz  
POWER SPLITTER**

**BHLT10**  
NDS # 719

an ISO 9001 Certified Company



- **2 WAY 0° POWER DIVIDER/COMBINER**
- **IDEAL FOR 900/2170 MHz GSM SYSTEMS**
- **MULTIPLE ANTENNA FEED**

This tri-band Power Splitter/Combiner is a universal system building block. It is intended for use in the 900/2170 MHz GSM systems. It can be used to feed multiple antennas in order to reduce the system complexity and to improve the reliability.

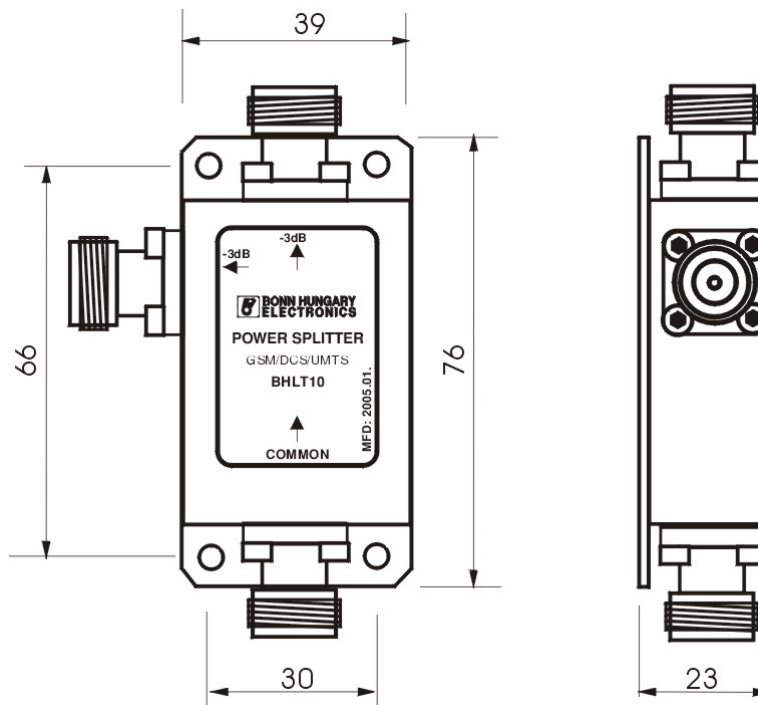
**ELECTRICAL CHARACTERISTICS :**

Frequency Band (*)	880 to 960 MHz	1710 to 2170 MHz
Reflection	< -20 dB	< -20 dB
Isolation	> 25 dB	> 25 dB
Insertion Loss	0.2 dB (above theoretical 3 dB)	0.3 dB tip. (max.0.4 above theoretical 3 dB)
Max Input Power	40W@ VSWR< 1.2	40W@ VSWR< 1.2
	2W@ VSWR < 2	2W@ VSWR < 2
	1W@ VSWR >10	1W@ VSWR >10
Connectors	N-female	N-female
Operating Temperature Range	- 30 to + 70°C	- 30 to + 70°C

(\*) Other frequency range can be specified

Specifications are subject to change without notice.

**OUTLINE DIMENSIONS (mm):**



**BONN Elektronik**   
RF Systems, Instruments and Components

Rudolf-Diesel-Str.18 · D-85521 Ottobrunn · Tel +49 (0)89/608 754-0 · Fax +49 (0)89/608 754-99  
email: [info@bonn-elektronik.com](mailto:info@bonn-elektronik.com) · home: [www.bonn-elektronik.com](http://www.bonn-elektronik.com)