



**BONN HUNGARY
ELECTRONICS**

**800 - 2500 MHz / 50 W
LOW INTERMODULATION
TERMINATION**

BTL10
NDS # 787

an ISO 9001 Certified Company



- IDEAL FOR THE GSM / DCS / UMTS SYSTEMS
- LOW INTERMODULATION
- COMPACT SIZE
- LOW VSWR

This broadband termination is intended to use in GSM, DCS and UMTS systems where proper termination is required. It is useful device for combining high power systems like base stations and other intermodulation sensitive systems. Due to its compact size it can be used effectively in these communication systems. It must be properly fixed to the wall through four holes.

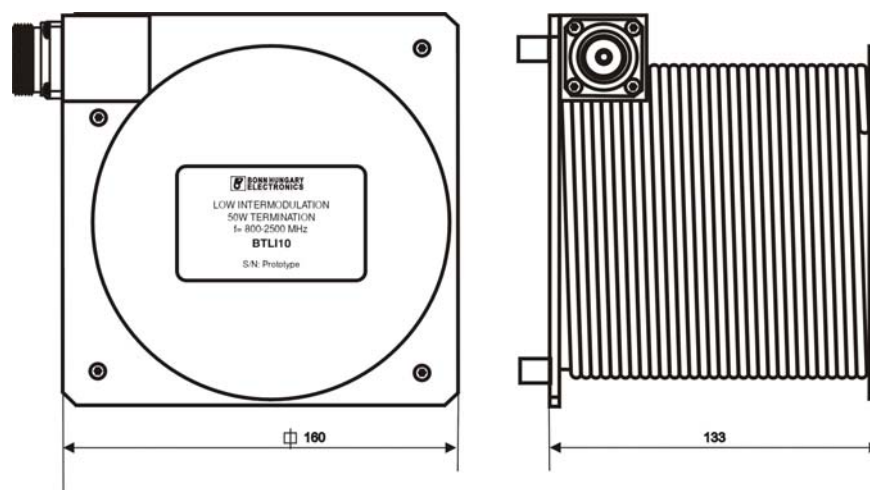
ELECTRICAL CHARACTERISTICS :

Frequency Band	800 to 2500 MHz
Max. RF Power	50 W
Reflection	< -25 dB typ., min. -20 dB
Measured 3th order IM products (*)	-155 dBc typ.
Impedance	50 ohm
Connectors	7/16 – female (N connector optional)
Operating Temperature Range	- 30 to + 70°C

(*) measured 2x40 dBm @ 950 MHz

Specifications are subject to change without notice.

OUTLINE DIMENSIONS (mm):



BONN Elektronik 
RF Systems, Instruments and Components

Rudolf-Diesel-Str.18 · D-85521 Ottobrunn · Tel +49 (0)89/608 754-0 · Fax +49 (0)89/608 754-99
email: info@bonn-elektronik.com · home: www.bonn-elektronik.com